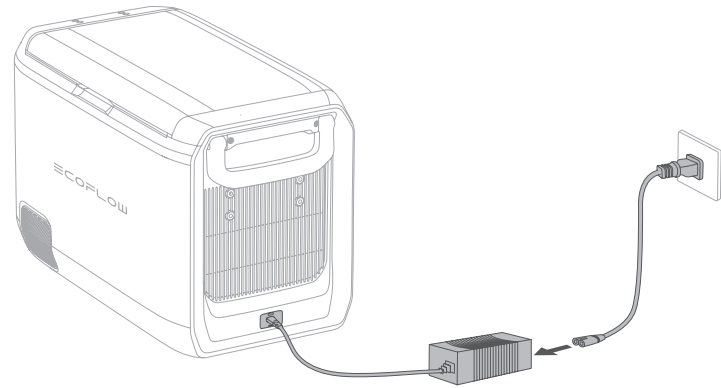
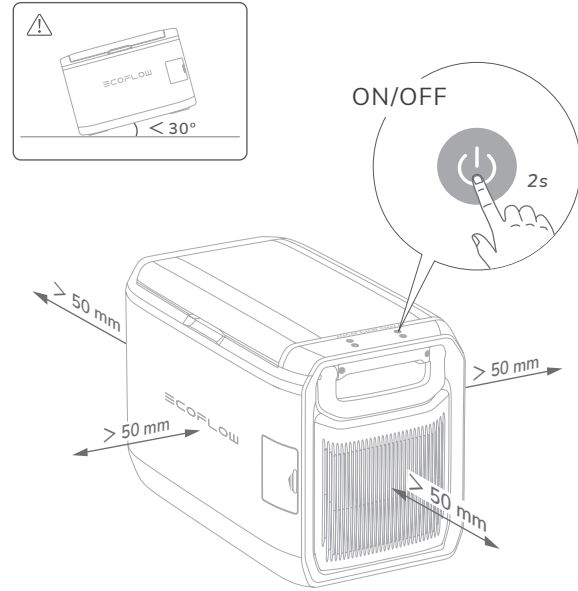


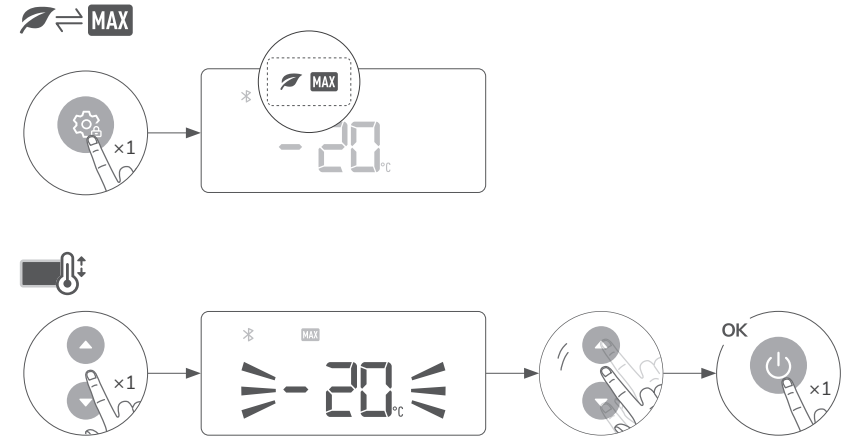
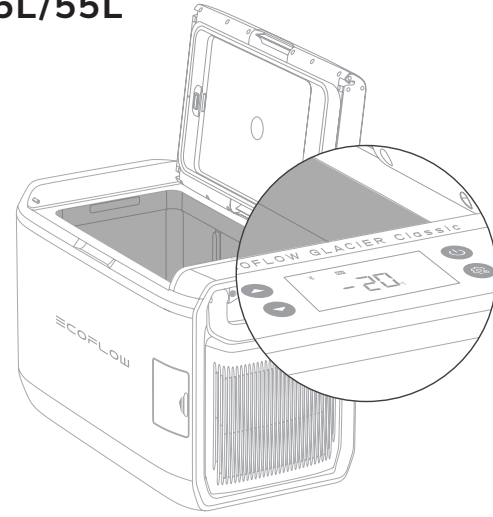
1



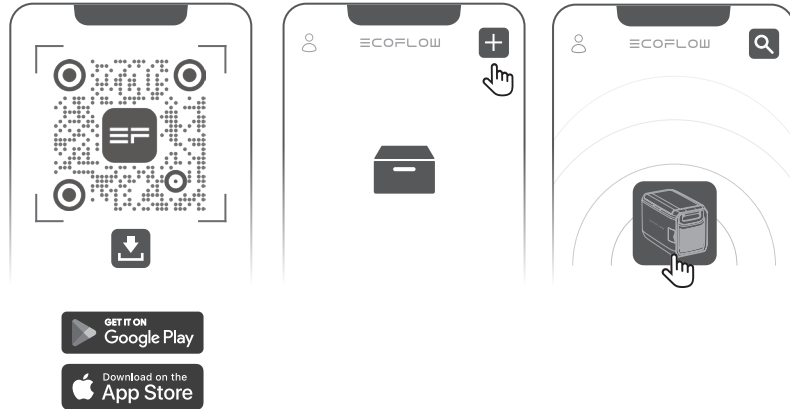
2



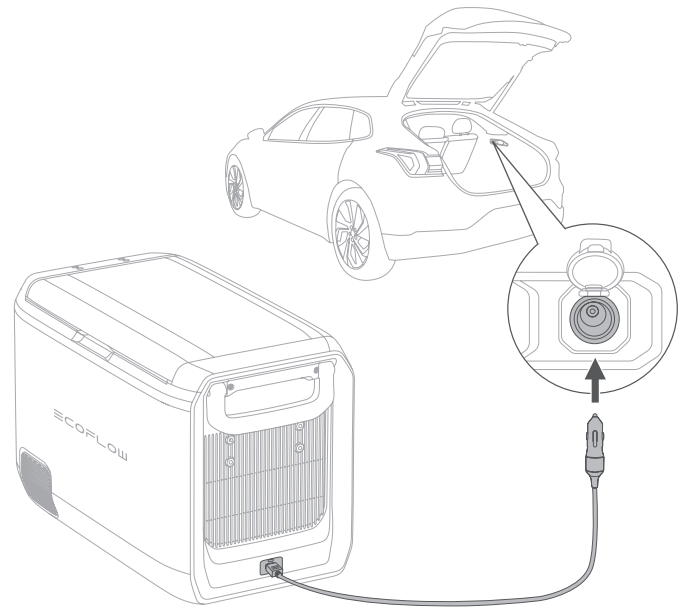
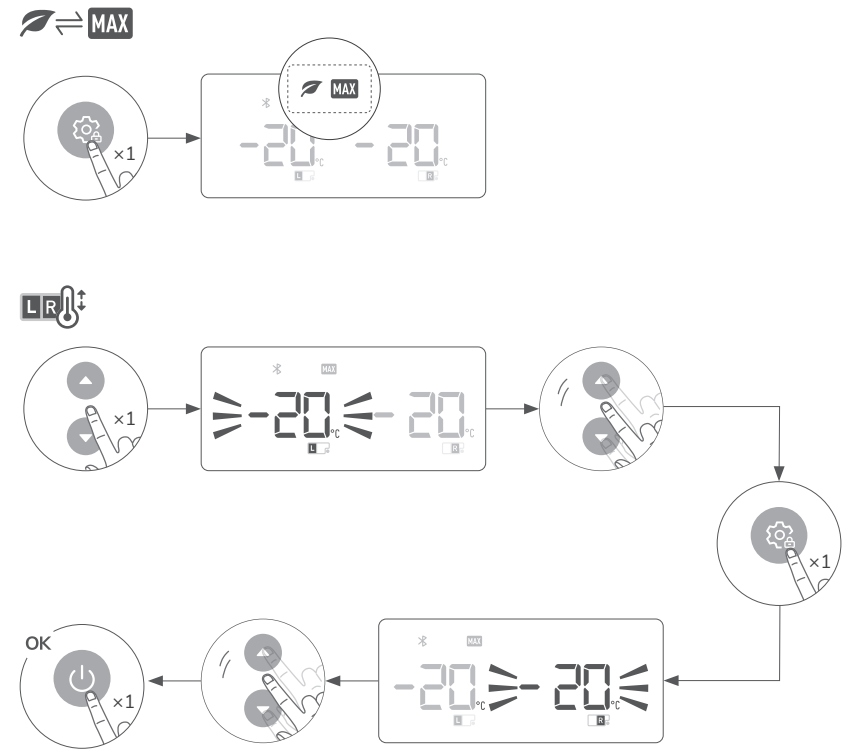
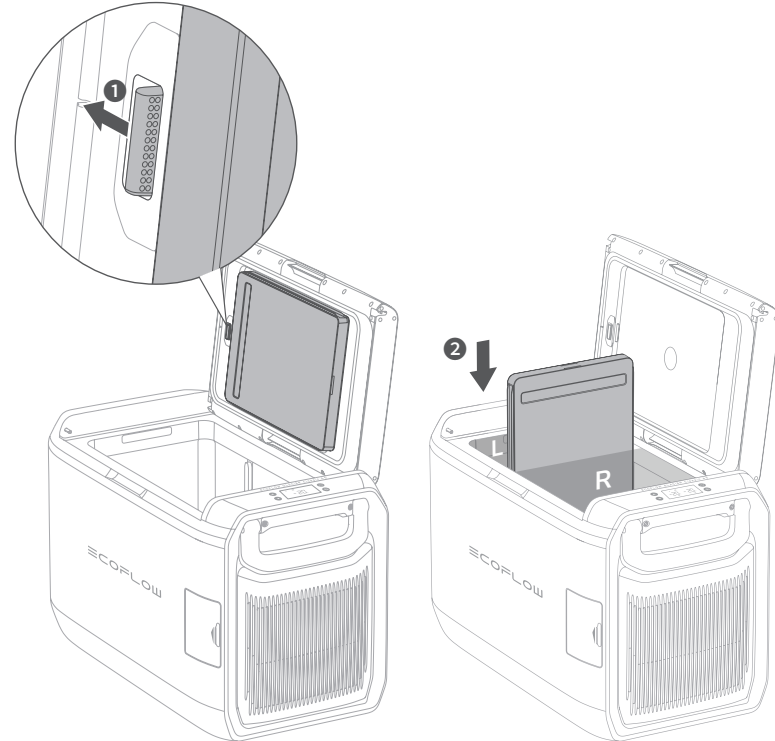
35L/45L/55L

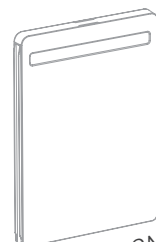
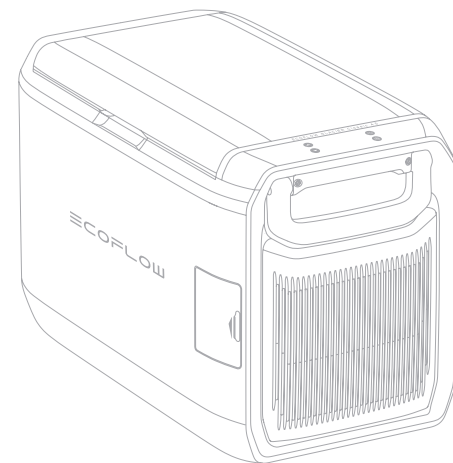


3

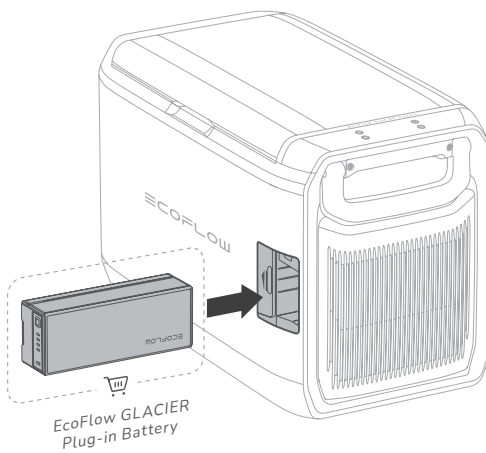
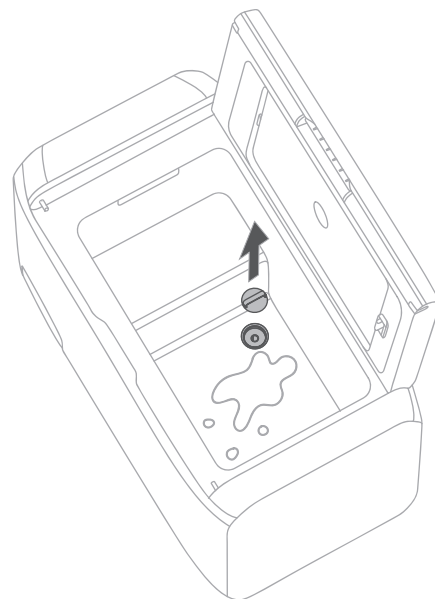
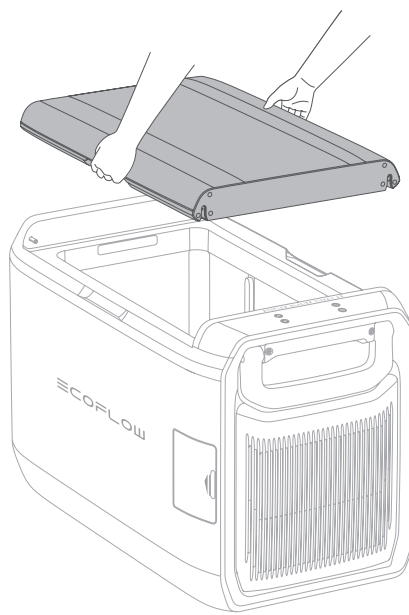
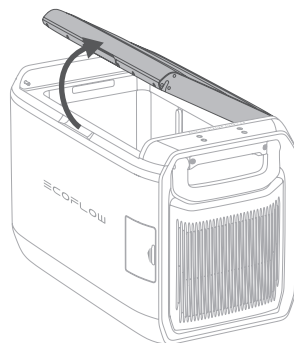
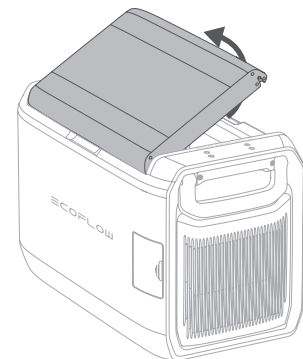
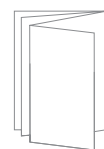
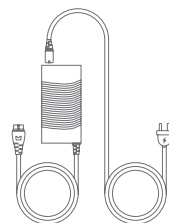


45L/55L ONLY





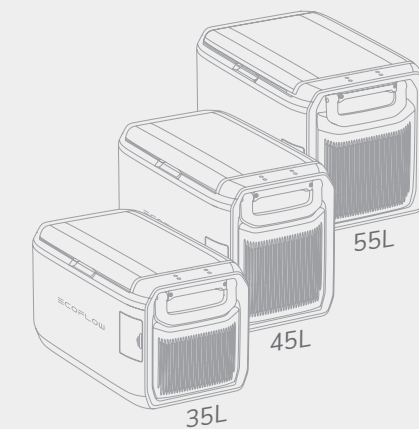
For 45L/55L ONLY



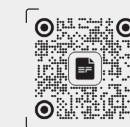
ECOFLOW

QUICK START GUIDE

V1.0



App



User Manual

EcoFlow GLACIER Classic

For more details, check the latest user manual or related documents.

🔍 <https://www.ecoflow.com/support/download>

* Images in this document are for demonstration only.